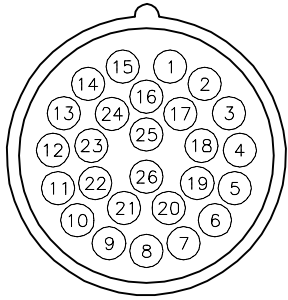


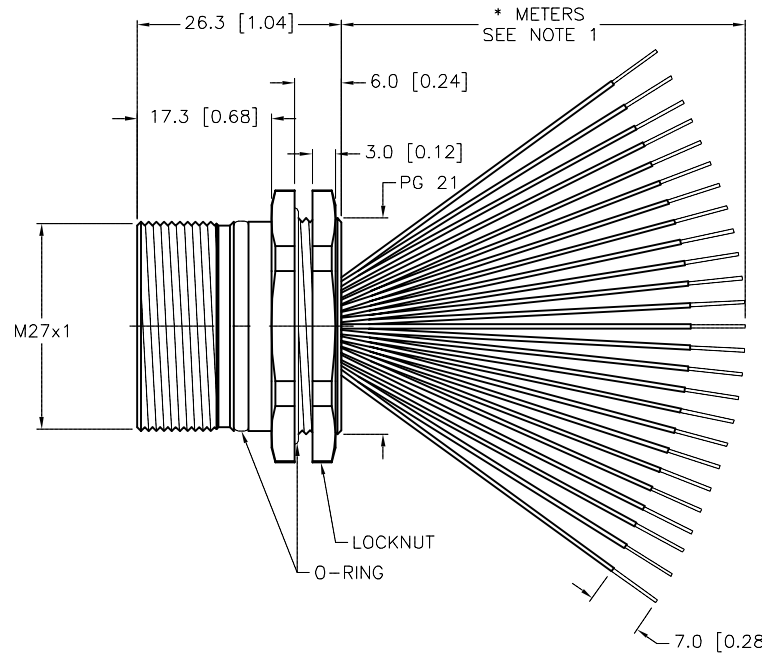
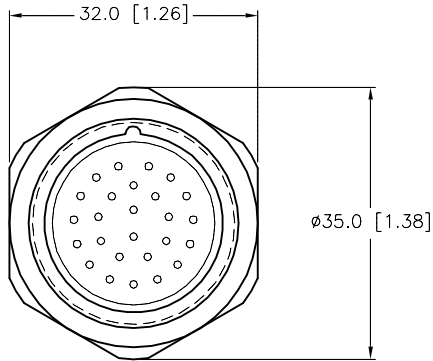
MALE END VIEW



- | | |
|------------------|-------------------|
| 1 = BROWN | 14 = WHITE |
| 2 = WHITE/GREY | 15 = BLUE/ORANGE |
| 3 = BLUE/GREY | 16 = BLACK/GREY |
| 4 = BROWN/GREY | 17 = BROWN/ORANGE |
| 5 = BLACK/YELLOW | 18 = WHITE/ORANGE |
| 6 = WHITE/YELLOW | 19 = BLACK/ORANGE |
| 7 = BLUE/YELLOW | 20 = BLACK/GREEN |
| 8 = BROWN/YELLOW | 21 = WHITE/GREEN |
| 9 = BLACK/RED | 22 = BROWN/GREEN |
| 10 = WHITE/RED | 23 = N/C |
| 11 = BLUE/RED | 24 = BLUE |
| 12 = BROWN/RED | 25 = BLUE/GREEN |
| 13 = BLACK | 26 = GREEN/YELLOW |

SPECIFICATIONS

CONTACT CARRIER MATERIAL	NYLON or PBT
CONTACT MATERIAL/PLATING	BRASS/GOLD
RECEPTACLE HOUSING MATERIAL/PLATING	BRASS/NICKEL
RATED CURRENT [A]	3.0 A
RATED VOLTAGE [V]	150 V
CONDUCTOR INSULATION MATERIAL	PVC
NUMBER OF CONDUCTORS [AWG]	25x22 AWG
TEMPERATURE	-40°C TO +80°C (-40°F TO +176°F)
PROTECTION CLASS	IEC IP67
MOUNTING	∅28.5 [1.122] HOLE or PG 21 THRD.



CABLE LENGTH	TOLERANCE*
ALL LENGTHS	+ 4% (OR 50mm) OF LENGTH - 0% (OR 0mm) OF LENGTH WHICHEVER IS GREATER
STRIP LENGTH	TOLERANCE*
0-7mm	±0.5mm
8-29mm	±1.0mm
30-49mm	±2.0mm
50-69mm	±3.0mm
70-100mm	±4.0mm
OVER 100mm	±5.0mm

* UNLESS OTHERWISE SPECIFIED

NOTES:

1. "*" INDICATES LEAD LENGTH IN METERS. CONTACT TURCK TO ORDER SPECIFIC LENGTHS.

2. "/CS11130" DESIGNATES CUSTOM PINOUT.

SOURCE DRAWING - FOR REFERENCE ONLY

RELATED DOCUMENTS 1. 2. 3. 4.	3RD ANGLE PROJECTION 	THIS DRAWING IS CONFIDENTIAL AND THE PROPERTY OF TURCK INC. USE OF THIS DOCUMENT WITHOUT WRITTEN PERMISSION IS PROHIBITED.		TURCK INC High Technology Sensors and Automation Controls 3000 CAMPUS DRIVE MINNEAPOLIS, MN 55441 1-800-544-7769 (763) 553-7300 (763) 553-0708 fax turck.com	
		DRFT	RDS	DATE	11/14/08
MATERIAL	SEE SPECIFICATIONS	APVD		SCALE	1=1.0
FINISH	SEE SPECIFICATIONS	UNIT OF MEASUREMENT MILLIMETER [INCH]		DESCRIPTION DSF 26-25-*/CS11130	
		CONTACT TURCK FOR MORE INFORMATION		IDENTIFICATION NO.	
		DO NOT SCALE THIS DRAWING		REV B	
B UPDATE RATED CURRENT SPECIFICATIONS		KMY	07/24/14	46464	
REV	DESCRIPTION	BY	DATE	ECO NO.	FILE: 777025236